

BALL VALVE

2-Piece Screwed End Ball Valve
 1000PSI (PN63), DN8~DN100

MODEL: KHD-21E

» **Body Material**

DIN 1.4408, 1.4308, 1.0619

» **Size Range**

1/4" - 4" (DN8~DN100)

» **Pressure Rating**

1000PSI (PN63)

» **End Connection**

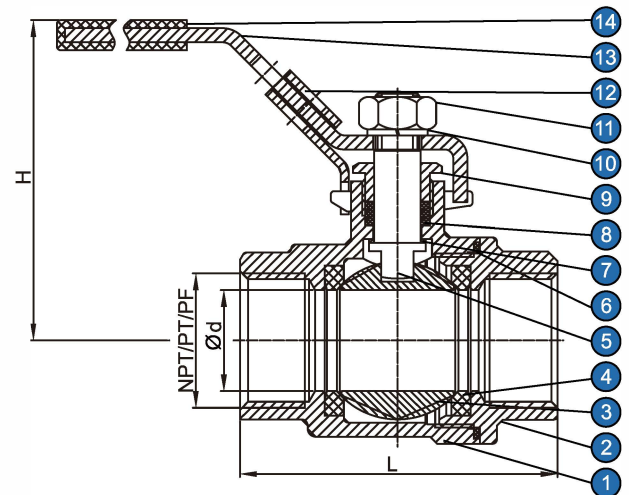
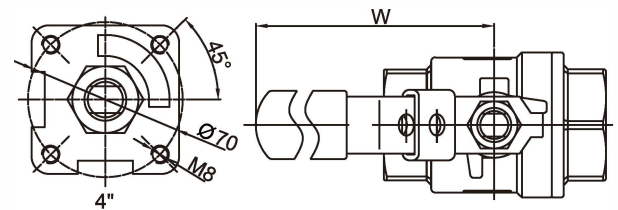
Screwed End

» **Standards**

Female pipe thread that meets NPT, BSPT, DIN 259, DIN 2999, or ISO 228-1

» **Temperature Range**

-20°F to 350°F (-28°C to 180°C) with PTFE seats



Materials List:

NO	PART NAME	MATERIAL
1	BODY	1.4408/1.0619
2	CAP	1.4408/1.0619
3	BALL	1.4408/1.4308
4	SEAT	PTFE
5	STEM	SS316/SS304
6	GASKET	PTFE
7	THRUST WASHER	PTFE
8	STEM PACKING	PTFE
9	GLAND	SS304
10	SPRING WASHER	SS304
11	STEM NUT	SS304
12	LOCKING DEVICE	SS304
13	HANDLE	SS304
14	HANDLE COVER	PLASTIC

Dimensions (mm):

SIZE		d	L	W	D
IN	DN				
1/4"	8	11.6	52	56	102
3/8"	10	12.7	52	56	102
1/2"	15	15	58	65	123
3/4"	20	20	67	68	123
1"	25	25	78	79	153
1 1/4"	32	32	90	84	153
1 1/2"	40	40	104	94	183
2"	50	50	126	100	183
2 1/2"	65	65	158	135	246
3"	80	80	186	145	246
4"	100	100	260	168	503

Valve Body Rating with Seat Material Plot:

